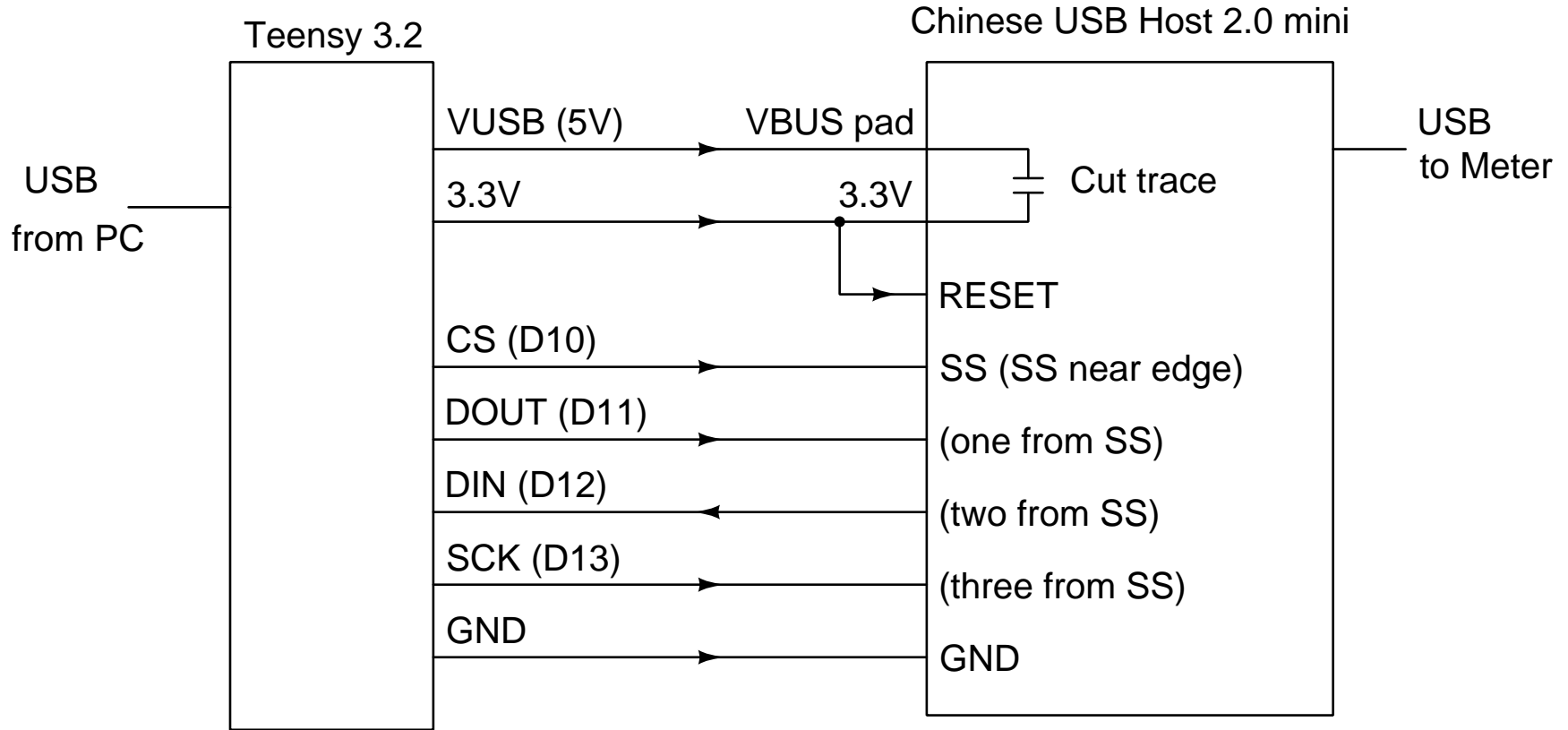


Arduino (compatible) to SQM-LU 2019-03-23

Drawn by: anthony@unihedron.com



Note: labelling for MOSIMISOCLK on board is wrong